

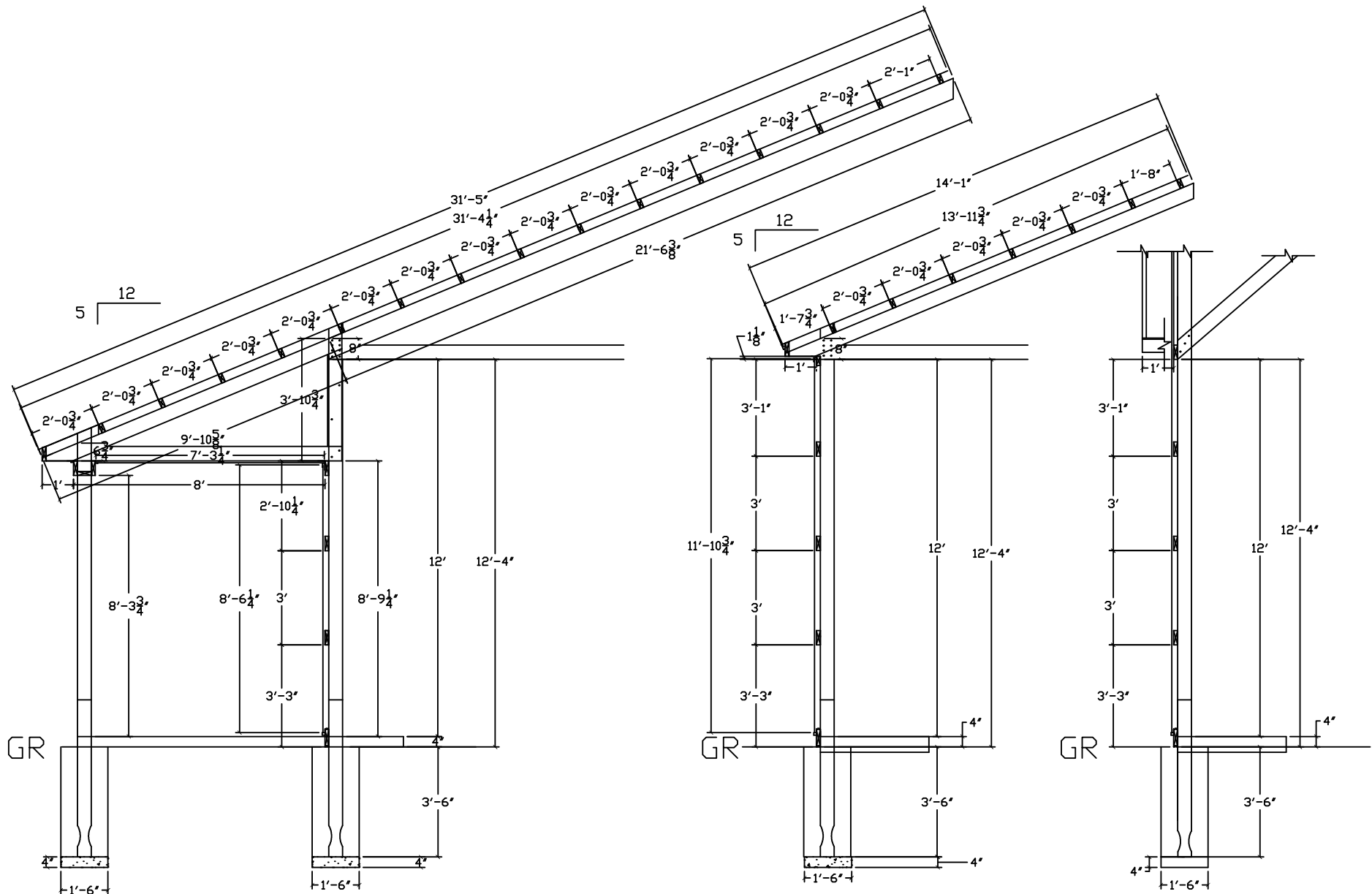
**GREINER BUILDINGS INC.**  
 2088 250TH ST. WASHINGTON, IA

**JOB NAME:** BLOCK

**SHEET:** 1 OF 2

**DRAWN BY:** NOLAN GERBER

**DATE:** 11-24-15



TYP. SIDEWALL 40X50 W/ LEAN TO

NORTH SIDEWALL 24' BUILDING

TYP. ENDWALL

**GREINER BUILDINGS INC.**  
 2088 250TH ST. WASHINGTON, IA

**JOB NAME:** BLOCK **SHEET:** 2 OF 2  
**DRAWN BY:** NOLAN GERBER **DATE:** 11-24-15